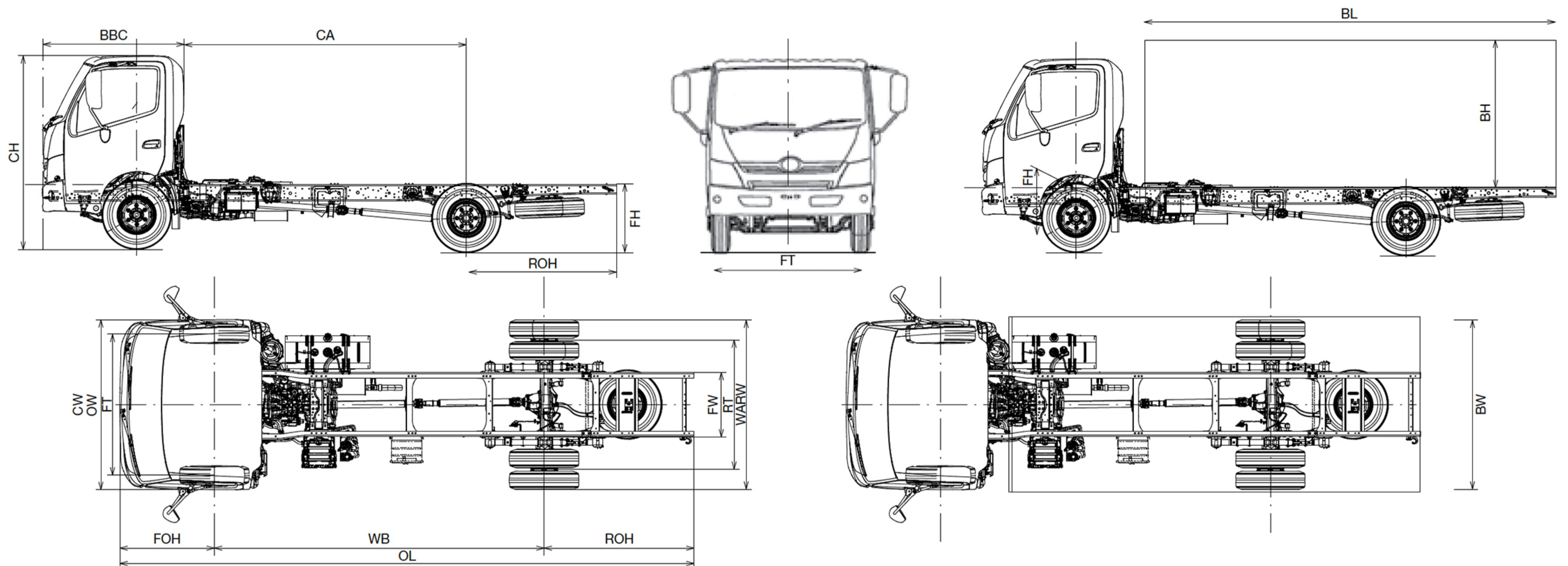


Hino 300 614 AT SWB



CHASSIS +



SPECIFICATIONS	DIMENSIONS (mm)
BBC - Rear Structure	1560
CA - Cab to Axle	1945
CH - Cab Height	2115
CW - Cab Width (excl. mirrors)	1695
FH - Frame Height @ Rear Axle	705
FOH - Front Overhang	980
FT - Front Track	1400
FW - Frame Width (Outside)	700
Max. homologated body width	1870 - 2100
Maximum Body Length	3400
Suggested Body Length	3200
Minimum Ground Clearance	195
OL - Overall Length	4710
OVH - Overall Vehicle Height	2110
ROH - Rear Overhang	1200
RT - Rear Track	1435
WARW - Width Across Rear Wheels	1870
WB - Wheel Base (FAS+WB+RAS)	2525
WB - Wheel Base (Min - Max)	2525 - 3800