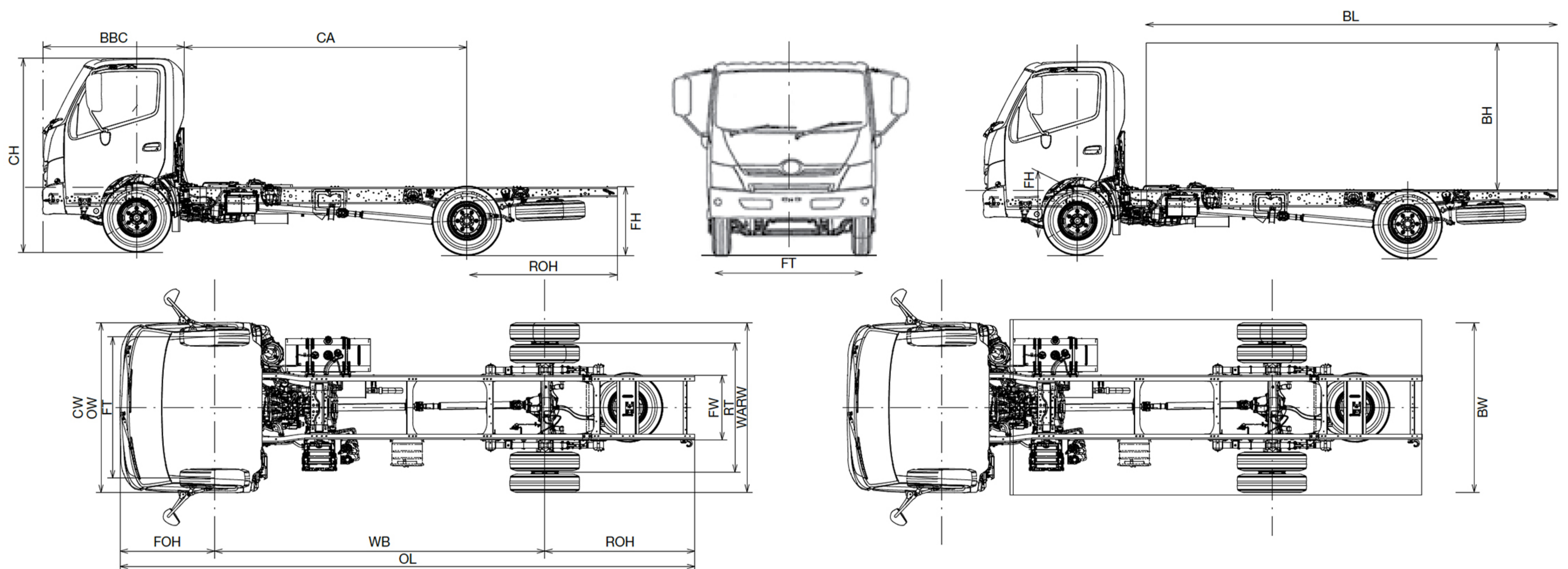


# Hino 300 714 SWB



## CHASSIS +



SPECIFICATIONS	DIMENSIONS (mm)
BBC - Rear Structure	1670
CA - Cab to Axle	2870
CH - Cab Height	2220
CW - Cab Width (excl. mirrors)	1995
FH - Frame Height @ Rear Axle	785
FOH - Front Overhang	1110
FT - Front Track	1655
FW - Frame Width ( Outside )	750
Max. homologated body width	1995 - 2500
Maximum Body Length	4800
Suggested Body Length	4200
Minimum Ground Clearance	210
OL - Overall Length	6120
OVH - Overall Vehicle Height	2220
ROH - Rear Overhang	1580
RT - Rear Track	1520
WARW - Width Across Rear Wheels	1985
WB - Wheel Base ( FAS+WB+RAS )	3430
WB - Wheel Base (Min - Max)	3430 - 4600