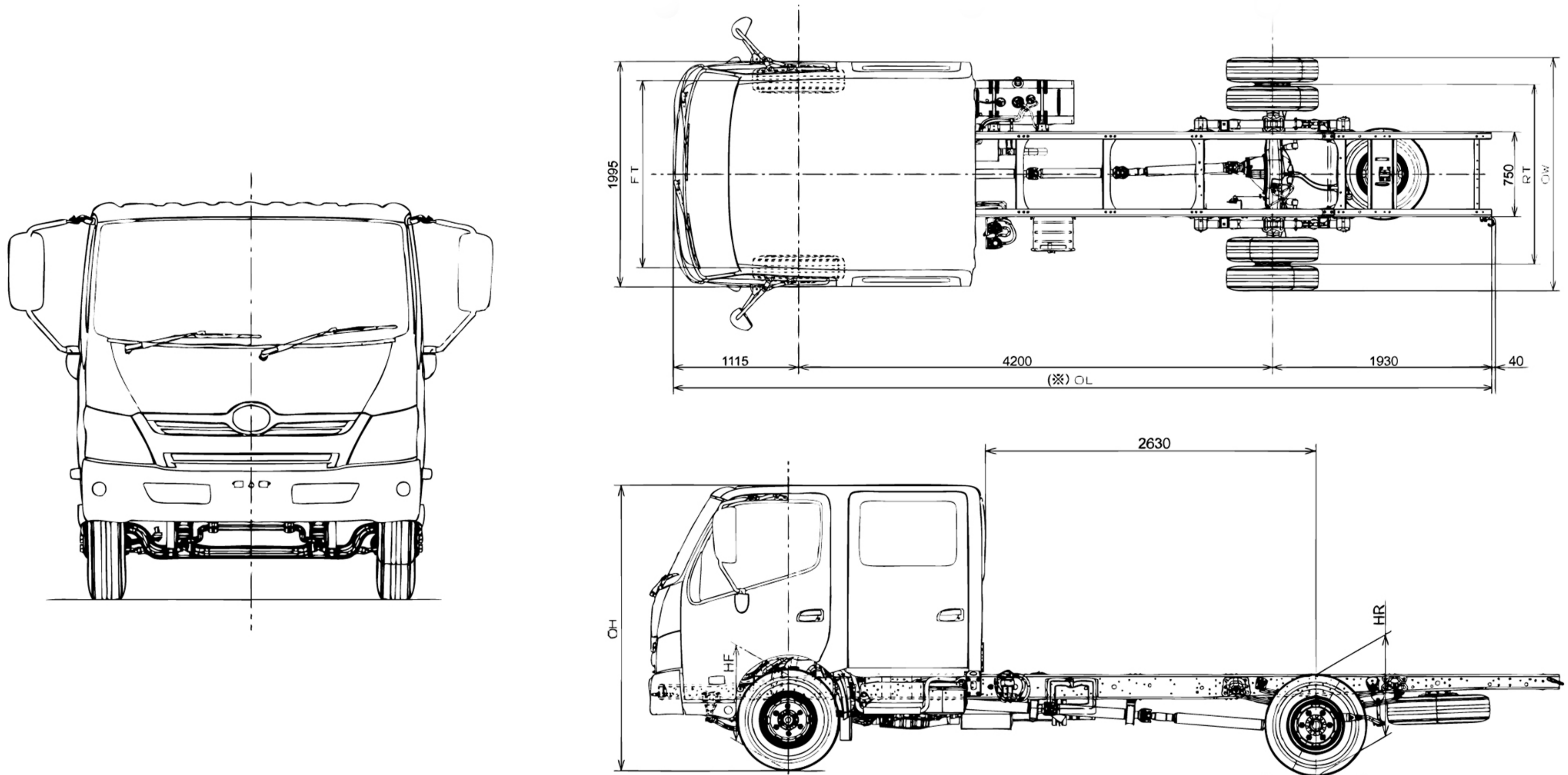


Hino 300 915 MT LWB CC



CHASSIS +



SPECIFICATIONS	DIMENSIONS (mm)
BBC - Rear Structure	1670
CA - Cab to Axle	2630
CH - Cab Height	2250
CW - Cab Width (excl. mirrors)	1995
FH - Frame Height @ Rear Axle	800
FOH - Front Overhang	1110
FT - Front Track	1655
FW - Frame Width (Outside)	750
Max. homologated body width	2055 - 2500
Maximum Body Length	6000
Suggested Body Length	5500
Minimum Ground Clearance	200
OL - Overall Length	7250
OVH - Overall Vehicle Height	2250
ROH - Rear Overhang	1930
RT - Rear Track	1590
WARW - Width Across Rear Wheels	2055
WB - Wheel Base (FAS+WB+RAS)	4200
WB - Wheel Base (Min - Max)	4200 - 5200